



VERY **I**MPOR
TANT
VALVE

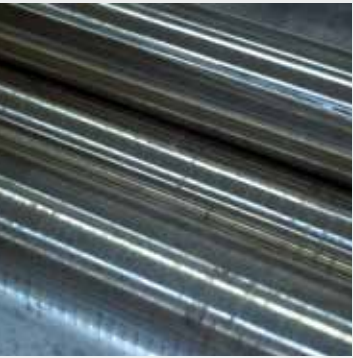
USA SALES DISTRIBUTOR

**Steel &
O'Brien**
Manufacturing

Phone: +1 (585) 492 5800
e-mail: sales@sob.us

Click to visit www.steelobrien.com

AN ITALIAN STORY



Bardiani Valvole SpA
is an Italian, privately held company
specialized in the design, production and distribution
of valves for health and hygiene applications
on a worldwide scale.

The company was founded in 1981 by Emilio Bardiani,
father of Emanuela Bardiani, currently the company's
CEO, and Luca Bardiani, Chairman
and General Manager of Bardiani Valvole S.p.A.
The business was founded in Fornovo,
in the Province of Parma.

Thanks to this geographical position,
in what is known as the Italian Food Valley,
the company began to manufacture
products for leading companies operating in the area.

Over the years sales increased
both at home and abroad and in 1993
The company's current head office was officially
opened.

Company growth continued to such an extent
that the premises were repeatedly extended
over the following years.

In 2002, Parma was given an enormous boost
when it was chosen to become the headquarters
of the EFSA (European Food Safety Authority),
the EU agency for food safety.

Bardiani Valvole SpA it is certified **ISO 9001**



OUR RANGE



B925



B935



BBZP



BBWP



YPA

		pages
B925	Double seat valve	6-7
B935	Double seat tank-bottom valve	
BBZP	Single seat valve	8-9
BBWP	Aseptic valve with membrane	10-11
YPA	Aseptic valve with metal bellows	12-13
BBZS1	Manual by-pass valve	14-15
BBZS5	Pneumatic by-pass valve	
BZAW	Double seal valve	16-17
BBZQ	High pressure valve	18-19
BBZK	Modulating valve with diaphragm actuator	20-21
BBZPM	Modulating valve	
ZVF	Pneumatic butterfly valve	22-23
VVF	Manual butterfly valve	
ZVS	Pneumatic ball valve	24-25
VVS	Manual ball valve	
BBTRD	Sight glass	26-27
GIOTTO TOP®-J-GIOTTO TOP®	Control units	28
ATEX LINE		29
ASSEMBLIES		30
BARDIANI CARE		31-33
OUR PARTNERS		34-35
RECOMMENDATIONS		36



BBZS1



BBZS5



BZAW



BBZQ



BBZK



BBZPM



ZVF



VVF



ZVS



VVS



BBTRD



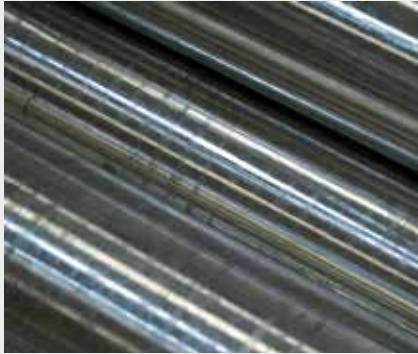
GIOTTO TOP®



J-GIOTTO TOP®

THE ADVANTAGES OF OUR VALVES

All parts in contact with the product are made in **AISI 316L stainless steel**. Other materials available on request



0.8 µm Surface finish on parts in contact with the product



Single cast valve body with no welds



Optimization of passages and minimization of friction loss



Atex VERSION, available for use in potentially explosive atmospheres



Designed to facilitate installation and maintenance operations



Control units: **Giotto Top®** and **J-Giotto Top®**, offer constant valve status monitoring



Space-saving

All Bardiani valves are supplied preassembled and tested

As well as standard models, Bardiani Valvole offers the possibility to make special valves



CERTIFICATIONS



GASKET CERTIFICATIONS

FDA



B925	EHEDG, 3A, ATEX
B935	3A, ATEX
BBZP	EHEDG, 3A, ATEX
BBZS1	EHEDG, ATEX
BBZS5	EHEDG, 3A, ATEX
YPA	ATEX
BZAW	ATEX
BBZQ BBYQ	3A, ATEX
BBZK	3A, ATEX
BBZPM	3A
ZVF - VVF	EHEDG, ATEX
ZVS - VVS	ATEX
BBTRD	ATEX
GIOTTO TOP® - J-GIOTTO TOP®	ATEX

B925



Double seat valve

Designed to keep two different products running through the same valve totally separate, the double seat valve has two separate shafts which create a transfer chamber between them.

Standard characteristics

Connection from DN15 to DN150, EPDM, FKM, HNBR gaskets.
Temperatures: maximum 140 °C, minimum -10 °C.
Maximum pressure 10 bar.

Also available in the following versions:

B925PMO	Pasteurized Milk Ordinance
B925V	Steam barrier
B925ZD	Distances between centres compatible with previous versions (ZD910/ZD920)
B925B	With auxiliary washing circuit
B935	Double seat mixproof tank-bottom valve

Special valves

- Mixproof valves for high-pressure applications (>10 bar)
- Valves for special applications (back-to-back, pigging, long stroke)
- Special body dimensions

Technical details can be found at www.bardiani.com or in the attached digital support.

WHYCHOOSE B925

It is a highly versatile valve for different applications and products



Balanced shafts (higher resistance gainst water hammer)



Set-up for seat washing from the outside



It makes it possible to reduce the number of single seat valves needed, consequently saving installation space in the field and providing obvious economic advantages in automation management



Shaft and body from solid bar



Hygienic design, EHEDG certified, reduction in the number of gaskets in contact with the product, to guarantee better hygiene and quicker maintenance times



It can operate with a washing fluid and a process fluid at the same time with no risk of contamination (Mix proof)

Full optional version: balanced shafts and actuator with 3 movements



Energy saving actuators, possibility to use air pressure at 4.5 bar

BBZP



Single seat valve

The single seat valve has been designed in observance of the strictest hygiene and reliability criteria to cover a wide range of applications as a shut-off valve or a diverter valve.

Standard characteristics

Connections from DN10 to DN150,
EPDM, FKM, HNBR and PTFE gaskets.
Temperatures: maximum 140 °C, minimum -10 °C.
Maximum pressure 10 bar*.

Also available in the following versions:

BBZM Manual

BBZR Long stroke

BBYP Steam barrier

BBZT Twin stop

BBZO/BBZOG Tank-bottom versions

Further variations

- Stroke limiter
 - Increased cylinder
 - Parabolic shaft
-

* Other characteristics on request: please contact our technical department.

WHY CHOOSE **B**BZP

AISI 316L valve body made from solid metal bar and/or hot forged



Hygienic design, EHEDG certificate reduction in the number of gaskets in contact with the product, to guarantee better hygiene and quicker maintenance times

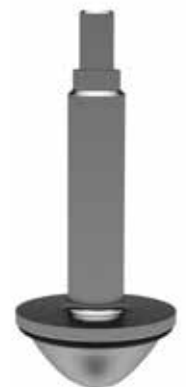
CERTIFICATIONS



Stroke limiter



Increased cylinder



Parabolic shaft

Technical details can be found at www.bardiani.com or in the attached digital support.



Aseptic valve with membrane

Suitable for guaranteeing an airtight and aseptic seal thanks to total isolation of the components in contact with the product and the external environment obtained by using a TFM membrane, recommended for products which are viscous or sticky and conducive to elastomer wear.

Standard characteristics

Connections from DN25 to DN100,

EPDM, FKM, HNBR and P.T.F.E gaskets.

Temperatures: maximum 140 °C, minimum -10 °C.

Product maximum pressure 8 bar*.

Also available in the following versions:

BBWM Manual

Further variations

■ Parabolic shaft

* Other characteristics on request: please contact our technical department.

WHY CHOOSE **B**BWP

Aseptic



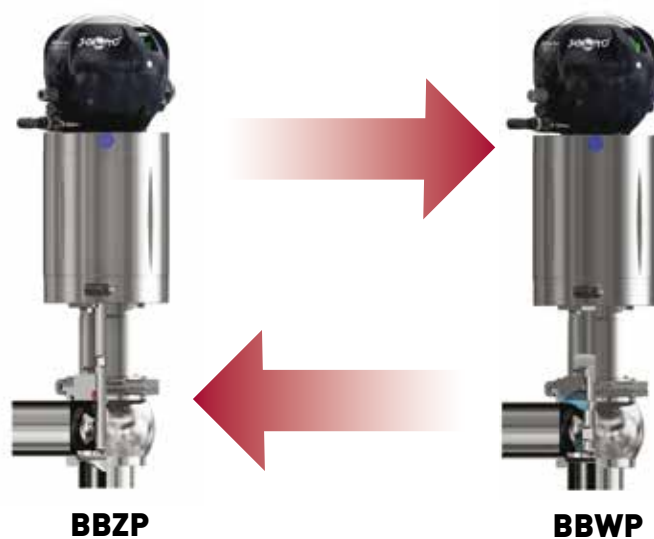
Hygienic



In the presence of pressure values exceeding 6 bar and/or special products where the steam barrier or metal bellows cannot be used.



Interchangeable with single seat valve



PEEK shaft

- Elastomer-free shaft
- Easy maintenance

Technical details can be found at www.bardiani.com or in the attached digital support.



Aseptic valve with metal bellows

Conceived to guarantee asepticness by isolating the stem using a metal bellows.

Standard characteristics

Connections from DN25 to DN100, EPDM, FKM, HNBR and PTFE gaskets.

Temperatures: maximum 140 °C, minimum -10 °C.

Maximum pressure 6 bar.

Also available in the following versions:

YMA/YMA1 Manually activated valve with/without lever

YTA Twin-stop

Auxiliary pneumatic cylinder, easily installed on aseptic valves with metal bellows.

Further variation

- Bigger valve bodies for particularly viscous products
-

WHY CHOOSE YPA

Guarantees total asepticness



YMA with lever



YMA1 without lever



Larger body



YTA Twin-stop

The auxiliary pneumatic cylinder represents the ideal solution for avoiding the effects of water hammer

BBZS1



By-pass valve

Used as an over pressure and by-pass valve, it is perfect for applications in various industrial sectors.

Regulation of the retained pressure depends on the loading of the spring.

Said load can be regulated by means of the adjustment ring nut found inside the protective bonnet.

Standard characteristics

Connections from DN10 to DN100, EPDM, FKM, HNBR and PTFE gaskets.

Temperatures: maximum 140 °C, minimum -10 °C.

Maximum pressure 10 bar*.

Also available in the following versions:

BBZS5 Adjustable pneumatic

BBYS1 Steam barrier

XS1 Metal bellows

Further variation

■ Parabolic shaft

* Other characteristics on request: please contact our technical department.

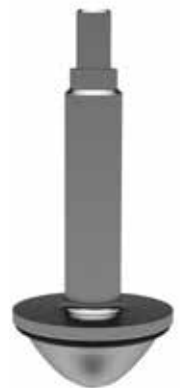
WHY CHOOSE THE **BBZS1**



BBZS5
Adjustable pneumatic



BBYS1
Steam barrier



Parabolic
shaft



Double seal valve

Double seal valve designed to guarantee reliable separation between two fluids.

The design of the shaft allows a physical separation space between the two seals.

Any possible leaks flow out through the two auxiliary valves located in the separation chamber, thus preventing the two fluids from coming into contact.

Standard characteristics

Connections from DN25 to DN100, EPDM, FKM, HNBR gaskets.

Temperatures: maximum 140 °C, minimum -10 °C.

Maximum pressure 10 bar*.

Further variations

- Steam barrier
- Metal bellows

* Other characteristics on request: please contact our technical department.

Total separation of two products



Reasonable price



Simple operation



The valve bodies from solid bars offer greater resistance



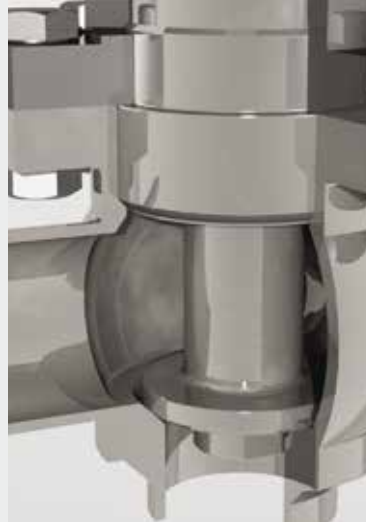
Choice of auxiliary valve positioning



The two auxiliary pneumatic valves can operate as an external washing circuit or steam circuit to ensure the chamber is always kept clean

Technical details can be found at www.bardiani.com or in the attached digital support.

B BZQ



High pressure valve

Characterized by thicker valve bodies and wider actuator diameters.

Standard characteristics

Connections from DN25 to DN100.

EPDM, FKM, HNBR gaskets in contact with the product and PTFE or metal gaskets for the shaft.

Maximum temperature 150 °C, Minimum temperature - 10°C.

Maximum pressure: 150 bar from DN25 to DN80 and 55 bar for DN100.

Also available in the following versions:

BBYQ Steam barrier

Further variation

■ Hydraulic damper

WHY CHOOSE **B**BZQ

For processes requiring high pressure levels



Sturdiness: all elements in contact with the product and the pneumatic section are manufactured from solid bars



Possibility to create any customization outside standard valve types



The hydraulic damper provides a slowdown in the valve opening and closing phases which consequently, safeguards the life expectancy of the seals and protects against any water hammer which may form in the system



BBYQ with steam barrier makes it possible to obtain reliable separation between the product in the valve and the outside environment

Technical details can be found at www.bardiani.com or in the attached digital support.

BBZK BBZPM



BBZK Modulating valve with membrane actuator

BBZPM Modulating valve with electropneumatic positioner and piston actuator

Recommended for regulation of flow rates and for keeping a constant level, pressure and temperature.

Standard characteristics

Connections from DN25 to DN100, EPDM, FKM, HNBR and PTFE gaskets. Temperatures: maximum 140 °C, minimum -10 °C. Maximum pressure 10 bar*.

Also available in the following versions:

BBYK/BBYPM With steam barrier

Further options of the BBZK

- Pneumatic positioner
 - Electropneumatic positioner
 - Digital positioner
-

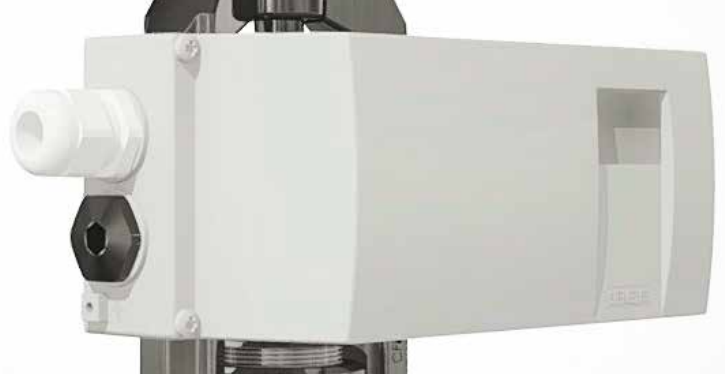
Further variations

- Equal percentage shaft
 - Linear shaft
 - Heating jacket
-

* Other characteristics on request: please contact our technical department

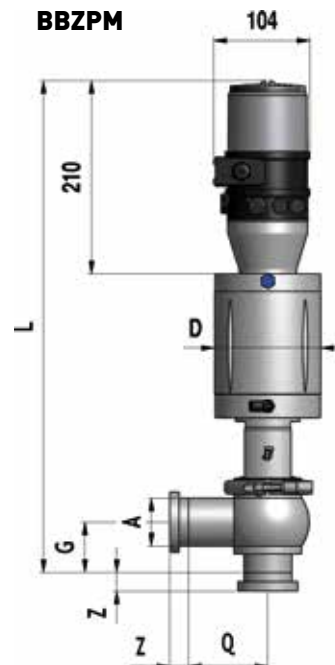
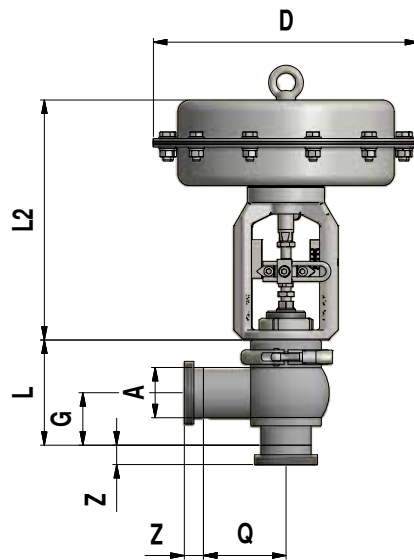
WHY CHOOSE **BBZK** AND **BBZPM**

BBZPM offers a high level of versatility in the versions relative to the positioner



BBZK

BBZPM



The **BBZPM** is more compact with space-saving side dimensions



Reduced section

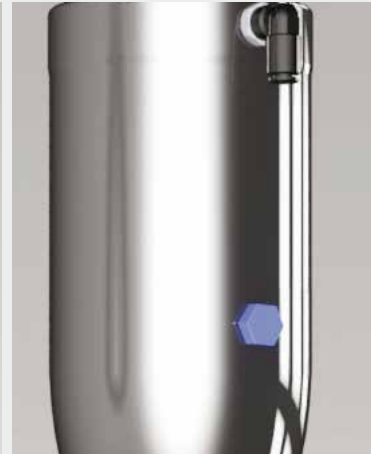


Equal percentage shaft



Linear shaft

Technical details can be found at www.bardiani.com or in the attached digital support.



Butterfly valve

Conceived based on a fundamental project, the butterfly valve manufactured by Bardiani Valvole can be used for applications in different sectors. With its simple design it forms part of a highly competitive range of products.

It monitors the closure and opening of the fluid processes.

Standard characteristics

Connection from DN10 to DN150, EPDM, FKM, MVQ, NBR gaskets.

Maximum temperature 120 °C, Minimum temperature - 10 °C.

Maximum pressure 10 bar*.

Also available in the following versions:

VVF - Manual - with plastic or stainless steel handle

The four-position steel handle provides millimetric adjustment while the plastic handle has 5 positions

WAFER - With fittings which simplify the removal of the valve from the piping line during maintenance operations

Further variations

- Sensors (for manual valve)

The application of one or two proximity sensors makes it possible to indicate the exact position of the valve during opening

- Stroke limiter

An accessory which allows for mechanical regulation of the valve range

* Other characteristics on request: please contact our technical department.

WHY CHOOSE ZVF

VVF Manual
with plastic handle



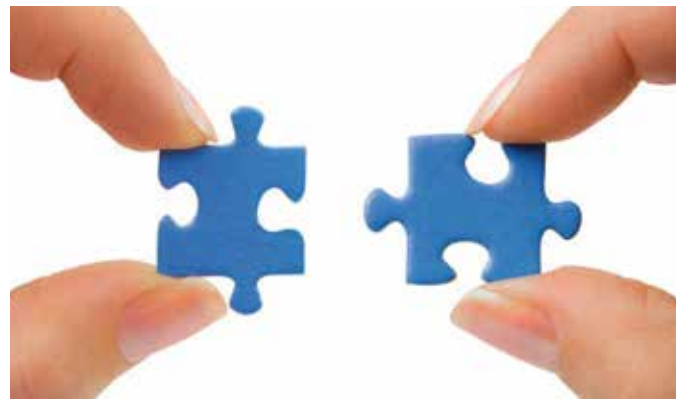
VVF Manual
with stainless steel handle



VVF Manual
with stainless steel handle
and millimetric adjustment



Spare parts available over time and with speedy delivery



Customization options available

WAFER AND DIN 11864

Hygienic fittings, small size, easy to remove



WAFER fitting



DIN11864 fitting



Technical details can be found at www.bardiani.com or in the attached digital support.

Z vs



Ball valve

A health and hygiene valve designed for total passage of product without restrictions: a precision ball with hole is positioned inside the valve body.

Pneumatic or manual control models available.

Standard characteristics

Connections from DN10 to DN100, FKM and PTFE gaskets.

Temperatures: maximum 160 °C, minimum -20 °C.

Maximum pressure for two-way valves: 25 - 64 bar (depending on diameters).

Maximum pressure for three-way valves: 16 - 40 bar (depending on diameters)*.

Also available in the following versions:

WVS Manual - with stainless steel handle

Further variations

■ Stroke limiter

An accessory which allows for mechanical regulation of the valve range

* Other characteristics on request: please contact our technical department.

WHY CHOOSE **ZVS**

Ideal for particularly viscous or particle containing liquids...



Heating jacket for viscous products



... or in the presence of high pressures



VVS Manual

Technical details can be found at www.bardiani.com or in the attached digital support.



Sight glass

Valve body with glass closure to allow for visual inspection

Standard characteristics

Connections from DN25 to DN100, EPDM, FKM, HNBR and PTFE gaskets.

Temperatures: maximum 140 °C, minimum -10 °C.

Maximum pressure 10 bar*.

* Other characteristics on request: please contact our technical department.

WHY CHOOSE **B**BTRD

Visual inspection



Also operates with vacuum



Greater safety and sturdiness thanks to the use of flat glass

Technical details can be found at www.bardiani.com or in the attached digital support.



Control units

Giotto Top control **units**® have been designed to ensure remote control of all the Bardiani Valvole valve functions.

Each control unit is able to control all the operations linked to valve functioning : in fact, both the position indicators (proximity e microswitch) and the solenoid valves are installed inside the Giotto Top® control unit®. The high protection rating (IP67) against dust and water infiltrations guarantees perfect operation of all the various components even in the most arduous operating conditions.

The range of control units is made up of two products:

- **GIOTTO TOP**® designed to manage the double seated valves and large valves.
- **J-GIOTTO TOP**® developed to reduce dimensions to a minimum and control single seat, butterfly and ball valves.

ATEX LINE

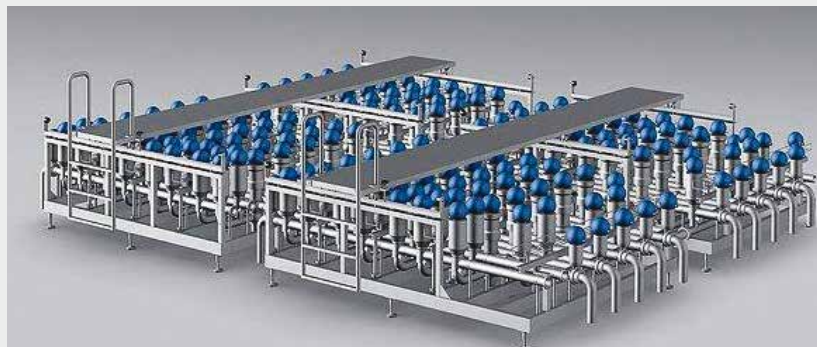


Valves designed and manufactured in observance of Directive 94/9 EC concerning “Equipment and protective systems intended for use in potentially explosive atmospheres”. This means that Bardiani ATEX valves guarantee a high level of safety in all those cases where explosive atmospheres may develop.

ASSEMBLIES



On customer's request, Bardiani Valvole provides valve units as per drawing made with orbital welding, passivation and duly tested.



BARDIANI **C**ARE

BARDIANI CARE



With **Bardiani Care** you no longer need to worry about routine maintenance, repairs on used parts nor the relative costs:

Bardiani Care makes it possible to plan valve maintenance with programmed checks to guarantee efficiency of the components. Costs are clear and predefined for the whole duration of the contract.

The benefits of the Bardiani Care program

- Periodical checks on the overall condition of valves (check-up and mapping) and the state of deterioration caused by use.
- Quick and effective service for all Bardiani Valvole products thanks to the professionalism of its Service Team.
- Maintenance costs can be constantly kept under control as they are budgeted by our technicians.
The Bardiani **Care program** guarantees economic and fixed costs over time.
- Use of plant stoppages scheduled by the client to perform maintenance operations.
- Optimization of the quantities of spare parts required in the customer's warehouse, based on the overall condition of the valves and normal deterioration caused by use.

Bardiani Care, recommended for all those users taking care of the valve's best productivity and efficiency.



Training

The Bardiani Valvole technical team offers training courses on its products held on its own premises, or on the customer's premises, aimed at increasing operative efficiency and production.

Spare parts

Bardiani Valvole guarantees the availability over time and speedy delivery of all **original** spare parts, at competitive prices.

OUR PARTNERS



**CSF Inox****MBS****OMAC**

Bardiani Valvole S.p.A.
can rely on industrial partners
boasting a high technological profile
and total reliability
for the supply of pumps
and heat exchangers.

NOTES

-
- 1** All the information, indications, statements and technical details provided herein are based on test data which Bardiani Valvole S.p.A. holds to be reliable but which cannot be expected to cover every possible use of the products.

 - 2** The illustrations and drawings provided are all indicative and are not binding, consequently they may not fully match the real appearance of the products.

 - 3** Being as the conditions of product use and applications cannot be controlled by Bardiani Valvole S.p.A., the purchaser must ascertain suitability of the use he intends to make of the products beforehand and assume all risks and liabilities which may result from the same.

 - 4** Customers are strongly advised to consult Bardiani Valvole S.p.A.'s technical-commercial collaborators to request any specific information concerning the technical characteristics of the products.

 - 5** The information provided in this document refers to standard production Bardiani Valvole S.p.A. products and therefore cannot be considered a basic reference for products built to meet specific requirements.

 - 6** Bardiani Valvole S.p.A. reserves the right to amend and/or integrate and/or update the data and/or information and/or technical details relative to products at any time and without prior notice.

 - 7** The content and validity of the warranty covering Bardiani Valvole S.p.A products are dealt with in the relative section in the "Instruction, Use and Maintenance Manual" which constitutes an integral part of the products themselves. Before proceeding with product installation, use or maintenance, the relative manual must be read and understood in full.

 - 8** Bardiani Valvole S.p.A., shall not in any way be held liable for immaterial and/or indirect damages, or consequential damages, such as (by way of example only), damages due to loss of business, contracts, opportunities, time, production, profits, goodwill, image etc....

Bardiani Valvole SpA
via G. di Vittorio, 50/52 - 43045 Fornovo di Taro (PR) - Italy
tel. +39 0525 400044 - fax +39 0525 3408
bardiani@bardiani.com - www.bardiani.com