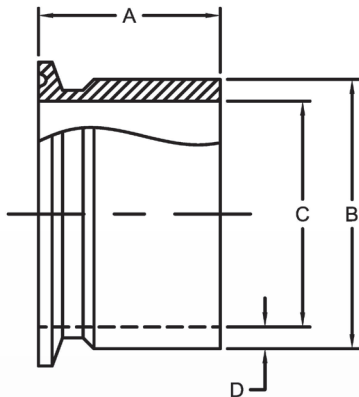


ASME HEAVY WALL FERRULES



PART NUMBER	CLAMP SIZE	A	B	C	D
14ASME-.50X2.5	1/2"	2.500	.592	.370	.111
14ASME-.75X2.5	3/4"	2.500	.846	.620	.113
14ASME-1X2.5	1"	2.500	1.190	.870	.160
14ASME-1X6	1"	6.000	1.190	.870	.160
14ASME-1.5X1.25	1-1/2"	1.250	1.690	1.370	.160
14ASME-1.5X2	1-1/2"	2.000	1.690	1.370	.160
14ASME-1.5X3	1-1/2"	3.000	1.690	1.370	.160
14ASME-1.5X6	1-1/2"	6.000	1.690	1.370	.160
14ASME-2X1.25	2"	1.250	2.230	1.870	.180
14ASME-2X2.25	2"	2.250	2.230	1.870	.180
14ASME-2X3.25	2"	3.250	2.230	1.870	.180
14ASME-2X6	2"	6.000	2.230	1.870	.180
14ASME-2.5X3.5	2-1/2"	3.500	2.780	2.370	.205
14ASME-2.5X6	2-1/2"	6.000	2.780	2.370	.205
14ASME-3X1.25	3"	1.250	3.310	2.870	.220
14ASME-3X2.75	3"	2.750	3.310	2.870	.220
14ASME-3X3.75	3"	3.750	3.310	2.870	.220
14ASME-3X6	3"	6.000	3.310	2.870	.220
14ASME-4X1.25	4"	1.250	4.350	3.840	.255
14ASME-4X3	4"	3.000	4.350	3.840	.255
14ASME-4X4	4"	4.000	4.350	3.840	.255
14ASME-4X6	4"	6.000	4.350	3.840	.255
14ASME-6X1.75	6"	1.750	6.462	5.782	.340
14ASME-6X6	6"	6.000	6.462	5.782	.340
14ASME-8X1.75	8"	1.750	8.445	7.782	.332
14ASME-10X1.75	10"	1.750	10.750	9.760	.495
14ASME-12X1.75	12"	1.750	12.320	11.720	.300

NOTE: ALL DIMENSIONS ARE IN INCHES

ASME Heavy Wall Ferrules are available in:

304/316L Stainless
C22/C276 Hastelloy
AL6XN
Alloy 2205

Contact us for other materials

• Fittings • Valves • Flanges • Tubing • Sight Glasses • Pump Parts • Accessories