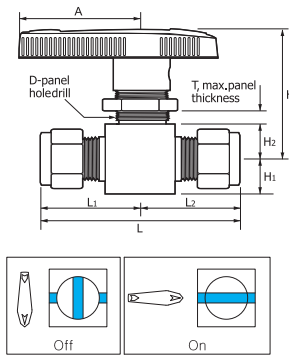


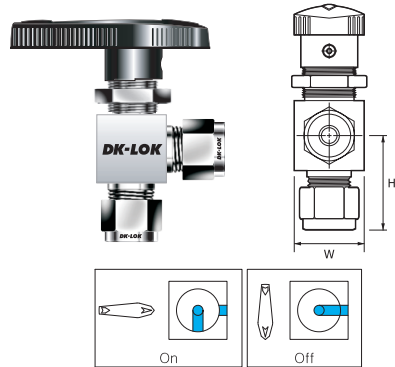
2-way On-off Valves

In-line pattern



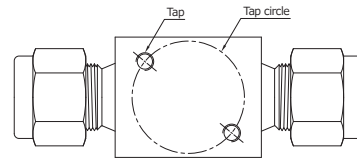
① min. panel thickness : 3.2mm(1/8inch)

Angle pattern



Ordering designator: -A

Bottom mounting option (In-line Only)



| Size | Tap | Tap Depth | Tap circle |
|------|---------|------------------|---------------------|
| V82C | M5x0.8P | 5.0 mm (0.2 in.) | Ø28.7 mm (1.13 in.) |
| V82D | | | Ø38.1 mm (1.5 in.) |

Ordering designator: -TM

Technical Data for V82 Series with Standard PTFE Seat

| Valve Series | | Working Pressure | | Temp. Range |
|------------------|----------------|------------------|-----|-------------------------------|
| In-line | Angle | psig | bar | |
| V82A, V82C, V82D | V82A-A, V82B-A | 2500 | 172 | 10°C to 65°C 50°F to 150°F |
| V82B | - | 3000 | 206 | |
| - | V82C-A, V82D-A | 1500 | 103 | |

Technical Data for VL82 Series with Standard PFA Seat

| Valve Series | | Working Pressure | | Temp. Range |
|---------------------|------------------|------------------|-----|---------------------------------|
| In-line | Angle | psig | bar | |
| VL82A, VL82C, VL82D | VL82A-A, VL82B-A | 2500 | 172 | -54°C to 65°C -65°F to 150°F |
| VL82B | - | 3000 | 206 | |
| - | VL82C-A, VL82D-A | 1500 | 103 | |

Technical Data for VG82 Series with Integrated PFA Seat

| Valve Series | | Working Pressure | | Temp. Range |
|---------------------|------------------|------------------|-----|----------------------------------|
| In-line | Angle | psig | bar | |
| VG82A, VG82C, VG82D | VG82A-A, VG82B-A | 2500 | 172 | -54°C to 150°C -65°F to 302°F |
| VG82B | - | 3000 | 206 | |
| - | VG82C-A, VG82D-A | 1500 | 103 | |

Ordering Information and Table of Dimensions

| Basic Ordering Number | End Connections | | Orifice | | Cv | | Dimensions mm (in.) | | | | | | | | | | |
|-----------------------|-----------------|-------------------------|---------|-------|--------|-------|---------------------|------------|------------|------------|------------|------------|------------|----------------|-------------|------------|------------|
| | Inlet | Outlet | mm | in. | Inline | Angle | L | L1 | L2 | H3 | H2 | H1 | A | T ^① | D | H | W |
| V82A- (VG82A) | D1T- | 1/16" DK-Lok | 1.3 | 0.052 | 0.1 | - | 42.7(1.68) | 21.3(0.84) | 21.3(0.84) | - | 8.6(0.34) | 7.1(0.28) | 28.4(1.12) | 6.4(1/4) | 15.1(19/32) | 34.5(1.36) | 14.7(0.58) |
| | D2T- | 1/8" DK-Lok | 2.4 | 0.093 | 0.2 | 0.15 | 51.1(2.01) | 25.7(1.01) | 25.7(1.01) | 24.6(0.97) | 8.6(0.34) | 7.1(0.28) | 28.4(1.12) | 6.4(1/4) | 15.1(19/32) | 34.5(1.36) | 14.7(0.58) |
| | D3M- | 3mm DK-Lok | 2.4 | 0.093 | 0.2 | 0.15 | 51.1(2.01) | 25.7(1.01) | 25.7(1.01) | 24.6(0.97) | 8.6(0.34) | 7.1(0.28) | 28.4(1.12) | 6.4(1/4) | 15.1(19/32) | 34.5(1.36) | 14.7(0.58) |
| | D4T- | 1/4" DK-Lok | 3.2 | 0.125 | 0.6 | 0.35 | 56.1(2.21) | 27.9(1.10) | 27.9(1.10) | 27.2(1.07) | 8.6(0.34) | 7.1(0.28) | 28.4(1.12) | 6.4(1/4) | 15.1(19/32) | 34.5(1.36) | 14.7(0.58) |
| | D6M- | 6mm DK-Lok | 3.2 | 0.125 | 0.6 | 0.35 | 56.1(2.21) | 27.9(1.10) | 27.9(1.10) | 27.2(1.07) | 8.6(0.34) | 7.1(0.28) | 28.4(1.12) | 6.4(1/4) | 15.1(19/32) | 34.5(1.36) | 14.7(0.58) |
| | F2N- | 1/8" Female NPT | 3.2 | 0.125 | 0.5 | 0.3 | 41.1(1.62) | 20.6(0.81) | 20.6(0.81) | 20.6(0.81) | 8.6(0.34) | 7.1(0.28) | 28.4(1.12) | 6.4(1/4) | 15.1(19/32) | 34.5(1.36) | 14.7(0.58) |
| V82B- (VG82B) | D4T- | 1/4" DK-Lok | 4.8 | 0.187 | 1.4 | 0.9 | 59.9(2.36) | 30.0(1.18) | 30.0(1.18) | 29.7(1.17) | 11.2(0.44) | 9.7(0.38) | 38.9(1.53) | 4.8(3/16) | 19.8(25/32) | 39.6(1.56) | 19.8(0.78) |
| | D6T- | 3/8" DK-Lok | 4.8 | 0.187 | 1.5 | 0.9 | 65.5(2.58) | 32.8(1.29) | 32.8(1.29) | 32.8(1.29) | 11.2(0.44) | 9.7(0.38) | 38.9(1.53) | 4.8(3/16) | 19.8(25/32) | 39.6(1.56) | 19.8(0.78) |
| | D6M- | 6mm DK-Lok | 4.8 | 0.187 | 1.4 | 0.9 | 60.7(2.39) | 30.5(1.20) | 30.5(1.20) | 29.7(1.17) | 11.2(0.44) | 9.7(0.38) | 38.9(1.53) | 4.8(3/16) | 19.8(25/32) | 39.6(1.56) | 19.8(0.78) |
| | D8M- | 8mm DK-Lok | 4.8 | 0.187 | 1.5 | 0.9 | 62.5(2.46) | 31.2(1.23) | 31.2(1.23) | 30.5(1.20) | 11.2(0.44) | 9.7(0.38) | 38.9(1.53) | 4.8(3/16) | 19.8(25/32) | 39.6(1.56) | 19.8(0.78) |
| | F2N- | 1/8" Female NPT | 4.8 | 0.187 | 1.2 | 0.7 | 50.8(2.00) | 25.4(1.00) | 25.4(1.00) | 25.4(1.00) | 11.2(0.44) | 9.7(0.38) | 38.9(1.53) | 4.8(3/16) | 19.8(25/32) | 39.6(1.56) | 19.8(0.78) |
| | F4N- | 1/4" Female NPT | 4.8 | 0.187 | 0.9 | 0.75 | 52.3(2.06) | 26.2(1.03) | 26.2(1.03) | 26.2(1.03) | 11.2(0.44) | 9.7(0.38) | 38.9(1.53) | 4.8(3/16) | 19.8(25/32) | 39.6(1.56) | 19.8(0.78) |
| V82C | M4N- | 1/4" Male NPT | 4.8 | 0.187 | 1.2 | 0.75 | 50.8(2.00) | 25.4(1.00) | 25.4(1.00) | 26.2(1.03) | 11.2(0.44) | 9.7(0.38) | 38.9(1.53) | 4.8(3/16) | 19.8(25/32) | 39.6(1.56) | 19.8(0.78) |
| | F4R- | 1/4" ISO Female Tapered | 4.8 | 0.187 | 0.9 | - | 52.3(2.06) | 26.2(1.03) | 26.2(1.03) | - | 11.2(0.44) | 9.7(0.38) | 38.9(1.53) | 4.8(3/16) | 19.8(25/32) | 39.6(1.56) | 19.8(0.78) |
| | D6T- | 3/8" DK-Lok | 7.1 | 0.281 | 6.0 | 2.0 | 77.5(3.05) | 38.6(1.52) | 38.6(1.52) | 38.2(1.5) | 14.2(0.56) | 14.2(0.56) | 50.8(2.00) | 9.5(3/8) | 28.6(1-1/8) | 52.6(2.07) | 28.4(1.12) |
| | D10M- | 10mm DK-Lok | 7.1 | 0.281 | 6.0 | 2.0 | 78.0(3.07) | 38.9(1.53) | 38.9(1.53) | 39(1.53) | 14.2(0.56) | 14.2(0.56) | 50.8(2.00) | 9.5(3/8) | 28.6(1-1/8) | 52.6(2.07) | 28.4(1.12) |
| | F4N- | 1/4" Female NPT | 7.1 | 0.281 | 3.0 | 1.7 | 63.5(2.50) | 31.8(1.25) | 31.8(1.25) | 31.8(1.25) | 14.2(0.56) | 14.2(0.56) | 50.8(2.00) | 9.5(3/8) | 28.6(1-1/8) | 52.6(2.07) | 28.4(1.12) |
| | F6N- | 3/8" Female NPT | 7.1 | 0.281 | 2.6 | 1.5 | 63.5(2.50) | 31.8(1.25) | 31.8(1.25) | 31.8(1.25) | 14.2(0.56) | 14.2(0.56) | 50.8(2.00) | 9.5(3/8) | 28.6(1-1/8) | 52.6(2.07) | 28.4(1.12) |
| V82D- | F6R- | 3/8" ISO Female Tapered | 7.1 | 0.281 | 2.6 | - | 63.5(2.50) | 31.8(1.25) | 31.8(1.25) | - | 14.2(0.56) | 14.2(0.56) | 50.8(2.00) | 9.5(3/8) | 28.6(1-1/8) | 52.6(2.07) | 28.4(1.12) |
| | D8T- | 1/2" DK-Lok | 10.3 | 0.406 | 12.0 | 4.6 | 99.6(3.92) | 49.8(1.96) | 49.8(1.96) | 49.8(1.96) | 17.5(0.69) | 17.5(0.69) | 76.2(3.00) | 9.5(3/8) | 38.1(1-1/2) | 66.3(2.61) | 38.1(1.50) |
| | D12T- | 3/4" DK-Lok | 10.3 | 0.406 | 6.4 | 3.8 | 99.6(3.92) | 49.8(1.96) | 49.8(1.96) | 49.5(1.94) | 17.5(0.69) | 17.5(0.69) | 76.2(3.00) | 9.5(3/8) | 38.1(1-1/2) | 66.3(2.61) | 38.1(1.50) |
| | D12M- | 12mm DK-Lok | 9.5 | 0.375 | 12.0 | 4.6 | 99.6(3.92) | 49.8(1.96) | 49.8(1.96) | 48.7(1.91) | 17.5(0.69) | 17.5(0.69) | 76.2(3.00) | 9.5(3/8) | 38.1(1-1/2) | 66.3(2.61) | 38.1(1.50) |
| | F8N- | 1/2" Female NPT | 10.3 | 0.406 | 6.3 | 3.5 | 79.2(3.12) | 39.6(1.56) | 39.6(1.56) | 39.6(1.56) | 17.5(0.69) | 17.5(0.69) | 76.2(3.00) | 9.5(3/8) | 38.1(1-1/2) | 66.3(2.61) | 38.1(1.50) |
| | F8R- | 1/2" ISO Female Tapered | 10.3 | 0.406 | 6.3 | - | 79.2(3.12) | 39.6(1.56) | 39.6(1.56) | - | 17.5(0.69) | 17.5(0.69) | 76.2(3.00) | 9.5(3/8) | 38.1(1-1/2) | 66.3(2.61) | 38.1(1.50) |

All dimensions shown are for reference only and are subject to change. Dimensions with DK-Lok nuts are in finger-tight position.

Patterns: To order angle pattern, use -A as a suffix to the basic ordering number. Example: V82B-D-4T-A-S

Top mounting: To order Top mounting option, use -TM as a suffix to the basic ordering number. Example: V82C-D-6T-TM-S

3-way Switching Valves

Technical Data for V82 Series with Standard PTFE Seat

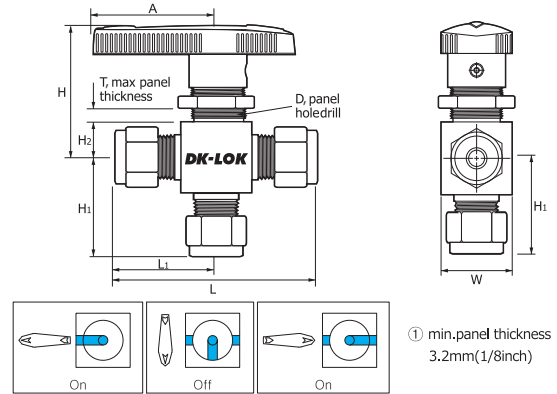
| Valve Series | Working Pressure | | Temp. Range |
|--------------|------------------|------|---------------|
| | 3-way | psig | |
| V823A, V823B | 2500 | 172 | 10°C to 65°C |
| V823C, V823D | 1500 | 103 | 50°F to 150°F |

Technical Data for VL82 Series with Standard PFA Seat

| Valve Series | Working Pressure | | Temp. Range |
|----------------|------------------|------|----------------|
| | 3-way | psig | |
| VL823A, VL823B | 2500 | 172 | -54°C to 65°C |
| VL823C, VL823D | 1500 | 103 | -65°F to 150°F |

Technical Data for VG82 Series with Integrated PFA Seat

| Valve Series | Working Pressure | | Temp. Range |
|----------------|------------------|------|----------------|
| | 3-way | psig | |
| VG823A, VG823B | 2500 | 172 | -54°C to 150°C |
| VG823C, VG823D | 1500 | 103 | -65°F to 302°F |



Ordering Information and Table of Dimensions

| Basic Ordering Number | End Connections | | Orifice | | Cv | Dimensions mm (in.) | | | | | | | | | |
|-----------------------|-----------------|-------------------------|---------|-------|------|---------------------|------------|------------|------------|------------|----------------|-------------|------------|------------|--|
| | Inlet | Outlet | mm | in. | | L | L1 | H1 | H2 | A | T ^① | D | H | W | |
| V823A- (VG823A) | D1T- | 1/16" DK-Lok | 1.3 | 0.052 | 0.1 | 42.7(1.68) | 21.3(0.84) | 20.6(0.81) | 8.6(0.34) | 28.7(1.13) | 6.4(1/4) | 15.0(19/32) | 34.5(1.36) | 14.7(0.58) | |
| | D2T- | 1/8" DK-Lok | 2.4 | 0.093 | 0.2 | 51.1(2.01) | 25.7(1.01) | 24.6(0.97) | 8.6(0.34) | 28.7(1.13) | 6.4(1/4) | 15.0(19/32) | 34.5(1.36) | 14.7(0.58) | |
| | D3M- | 3mm DK-Lok | 2.4 | 0.093 | 0.2 | 56.1(2.21) | 27.9(1.10) | 27.2(1.07) | 8.6(0.34) | 28.7(1.13) | 6.4(1/4) | 15.0(19/32) | 34.5(1.36) | 14.7(0.58) | |
| | D4T- | 1/4" DK-Lok | 3.2 | 0.125 | 0.6 | 51.1(2.01) | 25.7(1.01) | 24.6(0.97) | 8.6(0.34) | 28.7(1.13) | 6.4(1/4) | 15.0(19/32) | 34.5(1.36) | 14.7(0.58) | |
| | D6M- | 6mm DK-Lok | 3.2 | 0.125 | 0.6 | 56.1(2.21) | 27.9(1.10) | 27.2(1.07) | 8.6(0.34) | 28.7(1.13) | 6.4(1/4) | 15.0(19/32) | 34.5(1.36) | 14.7(0.58) | |
| | F2N- | 1/8" Female NPT | 3.2 | 0.125 | 0.5 | 41.4(1.63) | 20.6(0.81) | 20.6(0.81) | 8.6(0.34) | 28.7(1.13) | 6.4(1/4) | 15.0(19/32) | 34.5(1.36) | 14.7(0.58) | |
| V823B- (VG823B) | D4T- | 1/4" DK-Lok | 4.8 | 0.187 | 1.4 | 60.7(2.39) | 30.5(1.20) | 29.7(1.17) | 11.2(0.44) | 38.9(1.53) | 4.8(3/16) | 19.8(25/32) | 39.6(1.56) | 19.8(0.78) | |
| | D6M- | 6mm DK-Lok | 4.8 | 0.187 | 1.4 | 60.7(2.39) | 30.5(1.20) | 29.7(1.17) | 11.2(0.44) | 38.9(1.53) | 4.8(3/16) | 19.8(25/32) | 39.6(1.56) | 19.8(0.78) | |
| | D8M- | 8mm DK-Lok | 4.8 | 0.187 | 1.5 | 62.5(2.46) | 31.2(1.23) | 30.5(1.20) | 11.2(0.44) | 38.9(1.53) | 4.8(3/16) | 19.8(25/32) | 39.6(1.56) | 19.8(0.78) | |
| | F4N- | 1/4" Female NPT | 4.8 | 0.187 | 0.9 | 52.3(2.06) | 26.2(1.03) | 26.2(1.03) | 11.2(0.44) | 38.9(1.53) | 4.8(3/16) | 19.8(25/32) | 39.6(1.56) | 19.8(0.78) | |
| | F4R- | 1/4" ISO Female Tapered | 4.8 | 0.187 | 0.9 | 52.3(2.06) | 26.2(1.03) | 26.2(1.03) | 11.2(0.44) | 38.9(1.53) | 4.8(3/16) | 19.8(25/32) | 39.6(1.56) | 19.8(0.78) | |
| | D6T- | 3/8" ISO Female Tapered | 7.1 | 0.281 | 6.0 | 73.4(2.89) | 36.8(1.45) | 36.3(1.43) | 14.2(0.56) | 50.8(2.00) | 9.7(3/8) | 28.7(1-1/8) | 52.6(2.07) | 28.4(1.12) | |
| V823C | D10M- | 10mm DK-Lok | 7.1 | 0.281 | 6.0 | 78(3.07) | 39(1.53) | 39(1.53) | 14.2(0.56) | 50.8(2.00) | 9.7(3/8) | 28.7(1-1/8) | 52.6(2.07) | 28.4(1.12) | |
| | F4N- | 1/4" Female NPT | 7.1 | 0.281 | 3.0 | 63.5(2.50) | 31.8(1.25) | 31.8(1.25) | 14.2(0.56) | 50.8(2.00) | 9.7(3/8) | 28.7(1-1/8) | 52.6(2.07) | 28.4(1.12) | |
| | F6N- | 3/8" Female NPT | 7.1 | 0.281 | 2.6 | 63.5(2.50) | 31.8(1.25) | 31.8(1.25) | 14.2(0.56) | 50.8(2.00) | 9.7(3/8) | 28.7(1-1/8) | 52.6(2.07) | 28.4(1.12) | |
| | F6R- | 3/8" ISO Female Tapered | 7.1 | 0.281 | 2.6 | 63.5(2.50) | 31.8(1.25) | 31.8(1.25) | 14.2(0.56) | 50.8(2.00) | 9.7(3/8) | 28.7(1-1/8) | 52.6(2.07) | 28.4(1.12) | |
| | D8T- | 1/2" DK-Lok | 10.3 | 0.406 | 12.0 | 88.4(3.48) | 44.2(1.74) | 44.2(1.74) | 17.5(0.69) | 76.2(3.00) | 9.7(3/8) | 38.1(1-1/2) | 66.3(2.61) | 38.1(1.50) | |
| | D12T- | 3/4" DK-Lok | 10.3 | 0.406 | 6.4 | 88.4(3.48) | 44.2(1.74) | 44.2(1.74) | 17.5(0.69) | 76.2(3.00) | 9.7(3/8) | 38.1(1-1/2) | 66.3(2.61) | 38.1(1.50) | |
| V823D | D12M- | 12mm DK-Lok | 9.5 | 0.375 | 12.0 | 86.5(3.40) | 43.2(1.70) | 43.2(1.70) | 17.5(0.69) | 76.2(3.00) | 9.7(3/8) | 38.1(1-1/2) | 66.3(2.61) | 38.1(1.50) | |
| | F8N- | 1/2" Female NPT | 10.3 | 0.406 | 6.3 | 79.5(3.13) | 39.6(1.56) | 39.6(1.56) | 17.5(0.69) | 76.2(3.00) | 9.7(3/8) | 38.1(1-1/2) | 66.3(2.61) | 38.1(1.50) | |
| | F8R- | 1/2" ISO Female Tapered | 10.3 | 0.406 | 6.3 | 79.5(3.13) | 39.6(1.56) | 39.6(1.56) | 17.5(0.69) | 76.2(3.00) | 9.7(3/8) | 38.1(1-1/2) | 66.3(2.61) | 38.1(1.50) | |

All dimensions shown are for reference only and are subject to change. Dimensions with Dk-Lok nuts are in finger-tight position.

Flow Data

2-way

| Cv | Water US GPM (L/min.) | | | Air SCFM (NL/min.) | | |
|------|--|-------------|--------------|--------------------|--------------|--------------|
| | @21°C (70°F) | | | @21°C (70°F) | | |
| | Pressure Drop to Atmosphere (Δp) psi (bar) | | | | | |
| | 10(0.7) | 50(3.5) | 100(7.0) | 10(0.7) | 50(3.5) | 100(7.0) |
| 0.1 | 0.3(1.1) | 0.7(2.6) | 1.0(3.8) | 1.1(31) | 3.0(85) | 5.3(150) |
| 0.2 | 0.6(2.3) | 1.4(5.3) | 2.0(7.6) | 2.3(76) | 6.0(215) | 11.0(396) |
| 0.5 | 1.6(5.7) | 3.5(13.2) | 5.0(18.9) | 5.6(195) | 15.0(538) | 27.0(963) |
| 0.6 | 1.9(7.2) | 4.2(15.9) | 6.0(22.7) | 6.8(235) | 18.0(651) | 32.0(1161) |
| 0.9 | 2.8(10.6) | 6.4(23.8) | 9.0(34.0) | 10.0(340) | 27.0(963) | 48.0(1720) |
| 1.2 | 3.8(14.0) | 8.5(31.8) | 12.0(45.4) | 14.0(481) | 36.0(1303) | 64.0(2294) |
| 1.5 | 4.7(17.8) | 11.0(41.6) | 15.0(56.8) | 17.0(595) | 45.0(1614) | 80.0(2832) |
| 2.4 | 7.6(28.4) | 17.0(64.3) | 24.0(90.8) | 27.0(935) | 72.0(2606) | 120.0(4531) |
| 2.6 | 8.2(31.0) | 18.0(68.1) | 26.0(98.4) | 29.0(1020) | 78.0(2804) | 140.0(5098) |
| 3.0 | 9.5(35.6) | 21.2(79.5) | 30.0(113.6) | 34.0(1189) | 90.0(3115) | 160.0(5664) |
| 6.0 | 19.0(71.9) | 42.0(159.0) | 60.0(227.1) | 68.0(2351) | 180.0(6514) | 320.0(11611) |
| 6.3 | 19.9(75.5) | 44.5(170.3) | 63.0(237.0) | 71.0(2464) | 190.0(6797) | 340.0(12178) |
| 6.4 | 20.2(75.7) | 45.3(170.3) | 64.0(242.2) | 72.0(2520) | 190.0(6797) | 340.0(12178) |
| 12.0 | 37.9(143.8) | 84.9(321.7) | 120.0(454.2) | 130.0(4814) | 360.0(13027) | 640.0(22939) |

2-way angle pattern and 3-way

| Cv | Water US GPM (L/min.) | | | Air SCFM (NL/min.) | | |
|------|--|-------------|-------------|--------------------|-------------|-------------|
| | @21°C (70°F) | | | @21°C (70°F) | | |
| | Pressure Drop to Atmosphere (Δp) psi (bar) | | | | | |
| | 10(0.7) | 50(3.5) | 100(7.0) | 10(0.7) | 50(3.5) | 100(7.0) |
| 0.08 | 0.3(1.1) | 0.6(2.3) | 0.8(3.0) | 0.9(26) | 2.4(68) | 4.3(122) |
| 0.15 | 0.4(1.5) | 1.0(3.8) | 1.5(5.7) | 1.7(57) | 4.5(161) | 8.0(286) |
| 0.30 | 0.9(3.4) | 2.1(7.9) | 3.0(11.4) | 3.4(116) | 9.0(312) | 16.0(566) |
| 0.35 | 1.1(4.2) | 2.4(9.1) | 3.5(13.2) | 4.0(136) | 10.0(368) | 19.0(680) |
| 0.75 | 2.3(8.7) | 5.3(20.1) | 7.5(28.4) | 8.5(283) | 22.0(821) | 40.0(1444) |
| 0.80 | 2.5(9.5) | 5.6(21.2) | 8.0(30.3) | 9.0(312) | 24.0(878) | 42.0(1529) |
| 0.90 | 2.8(10.6) | 6.3(23.8) | 9.0(34.1) | 10.0(340) | 27.0(963) | 48.0(1728) |
| 1.5 | 4.7(17.8) | 11.0(41.6) | 15.0(56.8) | 17.0(595) | 45.0(1614) | 80.0(2832) |
| 1.7 | 5.3(20.1) | 12.0(45.4) | 17.0(64.3) | 19.0(680) | 51.0(1841) | 90.0(3115) |
| 2.0 | 6.3(23.8) | 14.0(53.0) | 20.0(75.7) | 22.0(793) | 60.0(2181) | 100.0(3965) |
| 3.5 | 11.0(41.6) | 25.0(94.6) | 35.0(132.5) | 39.0(1359) | 100.0(3682) | 180.0(6797) |
| 3.8 | 12.0(45.4) | 27.0(102.2) | 38.0(143.8) | 43.0(1501) | 110.0(3965) | 200.0(7363) |
| 4.6 | 15.0(56.8) | 33.0(124.9) | 46.0(174.1) | 52.0(1812) | 140.0(5098) | 240.0(8779) |

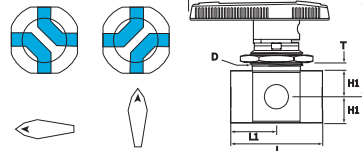
V824 Crossover 4-way Ball Valves

Features

- Crossover of two streams
- Mechanical stop ensures positive port positioning

Technical Data with standard PTFE, PFA and integrated PFA seat

| Valve Series | Pressure Rating | | SEAT material | Temperature Range |
|--------------|-----------------|-----|----------------|-------------------|
| | psig | bar | | |
| V824A | 2500 | 172 | PTFE | 10°C to 65°C |
| V824B | 1500 | 103 | | 50°F to 150°F |
| VL824A | 2500 | 172 | PFA | -54°C to 65°C |
| VL824B | 1500 | 103 | | -65°F to 150 °F |
| VG824A | 2500 | 172 | Integrated PFA | -54°C to 150°C |
| VG824B | 1500 | 103 | | -65°F to 302°F |



Ordering Information and Table of Dimensions

| Ordering Number | End Connection | Cv | Orifice | | Dimensions, mm(in.) | | | | | | | |
|-----------------|----------------|--------------------|---------|-----|---------------------|-------------|-------------|-------------|-------------|------------|--------------|-------------|
| | | | mm | in. | L | L1 | H1 | A | T* | D | H | |
| V(L, G)824A- | F2N-S | 1/8 in. Female NPT | 0.08 | 1.6 | 0.062 | 39.4 (1.55) | 19.8 (0.78) | 11.2 (0.44) | 38.9 (1.53) | 4.8 (3/16) | 23.1 (29/32) | 42.7 (1.68) |
| V(L, G)824B- | F8N-S | 1/2 in. Female NPT | 1.6 | 7.1 | 0.281 | 79.5 (3.13) | 39.6 (1.56) | 17.5 (0.69) | 76.2 (3.00) | 9.7 (3/8) | 38.1 (1 1/2) | 61.7 (2.43) |

T* indicates maximum panel thickness D : Panel Hole

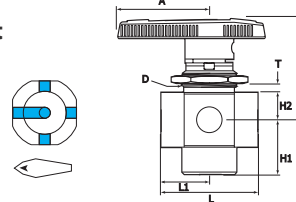
V825 Switching 5-way Ball Valves

Features

- Flow switches from a single port to multiple ports or from multiple ports to a single port.
- Spring-loaded detent ensures exact port positioning.

Technical Data with standard PTFE, PFA and integrated PFA seat

| Valve Series | Pressure Rating | | SEAT material | Temperature Range |
|--------------|-----------------|-----|----------------|-------------------|
| | psig | bar | | |
| V825A | 2500 | 172 | PTFE | 10°C to 65°C |
| V825B | 1500 | 103 | | 50°F to 150°F |
| VL825A | 2500 | 172 | PFA | -54°C to 65°C |
| VL825B | 1500 | 103 | | -65°F to 150 °F |
| VG825A | 2500 | 172 | Integrated PFA | -54°C to 150°C |
| VG825B | 1500 | 103 | | -65°F to 302°F |



Ordering Information and Table of Dimensions

| Ordering Number | End Connection | Cv | Orifice | | Dimensions, mm(in.) | | | | | | | | |
|-----------------|----------------|--------------------|---------|-----|---------------------|-------------|-------------|-------------|-------------|-------------|------------|--------------|-------------|
| | | | mm | in. | L | L1 | H1 | H2 | A | T* | D | H | |
| V(L, G)825A- | F2N-S | 1/8 in. Female NPT | 0.07 | 1.6 | 0.062 | 39.4 (1.94) | 19.8 (0.78) | 22.4 (0.88) | 38.9 (1.53) | 38.9 (1.53) | 4.1 (5/32) | 23.1 (29/32) | 42.9 (1.69) |
| V(L, G)825B- | F8N-S | 1/2 in. Female NPT | | | | | | | | | | | |

T* indicates the maximum panel thickness. 3.2 mm (1/8 in.) minimum panel thickness. D : Panel Hole

Handle Options

Aluminum Bar
Add-AH to the valve ordering number.
Example:V824A-F-2N-AH-S



Stainless Bar
Add-BH to the valve ordering number.
Example:V824A-F-2N-BH-S

How to Order

Select applicable valve pattern, options and body material from designators listed below.

V824A-F2N

V82B-D4T

VG82A-D2T

-A

-NL

-AH

-B

-S

| 2-way | Bottom mounting | Valve with no lubricant | Bar handle | Body material |
|-------------------------|--|--|--|------------------------|
| A : 2-way angle pattern | TM : Bottom mounting Note : Bottom mounting option is applicable only to the in-line pattern 2-way valves. | NL : No lubricant Valve Note : Valve with no lubricant is factory tested at 200 psig (13 bar). This valve pressure rating is 200 psig (13 bar). | Nil : Standard Nylon handle AH : Aluminum bar handle BH : Stainless bar handle | S : SS316 B : Brass |

Safe Valve Selection

The selection of a valve for any application or system design must be considered to ensure safe performance. Valve function, valve rating, material compatibility, proper installation, operation and maintenance remain the sole responsibility of the system designer and the user. DK-Lok accepts no liability for any improper selection, installation, operation or maintenance.