

More thrust. Less noise. Less energy costs.

The BEX AW Series Airwisk™ blow-off nozzle produces a quiet, fast and concentrated flat-fan pattern of air that maximizes cooling, drying and blow-off applications.

The Airwisk design efficiently controls compressed air usage, reduces energy costs and provides optimum air distribution. The air stream is produced by discharging air through precision recessed orifices producing a flow of high impact air exactly where it is needed.

BEX Airwisk™ Nozzles for Blow Off Applications



Features:

- Tough ABS construction
- Multiple mounting options
- Maximum pressure to 100 psi
- 1/4" thread size NPT

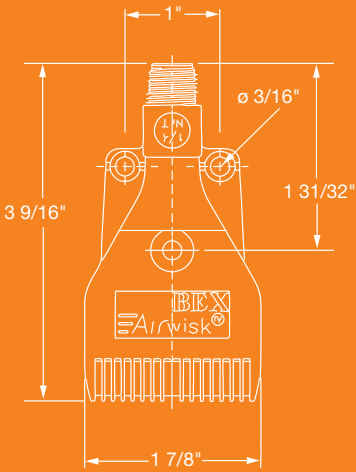
Typical applications:

- Cooling of components
- Drying of parts
- Cleaning of parts
- Air curtains
- Blow off
- Debris removal



BEX Airwisk™ Nozzles for Blow Off Applications

The BEX AW Series Airwisk™ blow-off nozzles are made of tough ABS material which is rated to 150° F and has a maximum pressure of 100 psi. The nozzles are designed with several mounting holes to ensure accurate alignment. They can be mounted individually or side by side to provide increased coverage. The Airwisk series is in stock and ready to ship.



Model Number	Thread Size	Capacity at various pressures (SCFM)				
		20 psi	40 psi	60 psi	80 psi	100 psi
1/4AW15	1/4"	9.5	15.0	20.5	24.9	32.1



Competitive Pricing / Fast Delivery

U.S.A. - BEX Incorporated
836 Phoenix Drive
Ann Arbor MI. 48108
Phone: 734.389.0464
Fax: 734.389.0470
sales@bex.com

Canada - BEX Engineering
5115 Timberlea Blvd.
Mississauga ONT L4W2S3
Phone: 905.238.8920
Fax: 905.238.8955
info@bex.com

Europe - BEX GmbH,
Siemensring 44P
D-47877 Willich, Deutschland
Phone: 49 2154/88 70 06
Fax: 49 2154/88 70 09
deutschland@bex.com