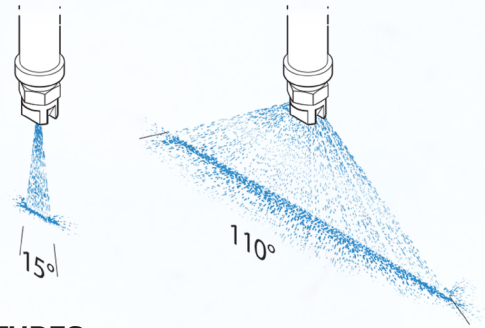




Spraying, Mixing, and Application Specialists

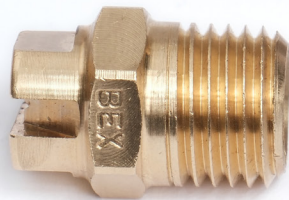
FV SERIES

Low Flow-Rate Nozzle

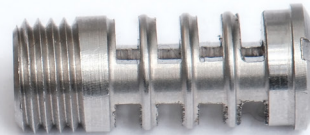


FEATURES:

- Low Flow-rate (under 1 GPM at 40PSI)
- Flat fan spray pattern
- Available in angles from 15°-110°
- One piece construction machined from Brass, 303SS or 316SS bar.
- 1/8" and 1/4" NPT or BSPT Threads
- Optional internal thread to attach strainer assembly



One-piece construction



Strainer assembly available

Efficient Water Usage and Precision Coverage

BEX FV Series low flow-rate spray nozzles produce a flat fan-shaped spray pattern with spray angles from 15° to 110°. Spray density tapers off toward the outside of the spray to permit overlapping of spray patterns while maintaining uniform spray density. All leading to a quality flow rate and improved spray pattern.

FV Series feature flow rates below 1 gpm at 40 psi.

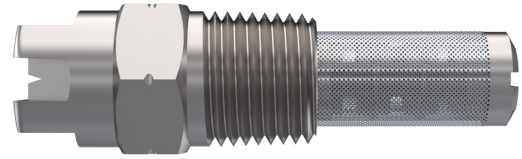
TYPICAL APPLICATIONS:

- Metal washing
- Foam control
- Wetting/rinsing
- Cooling
- Dust Control
- Food processing
- Parts cleaning
- Fertilizer spraying
- Gravel washing
- Vehicle washing
- Dishwashers
- **and more!**

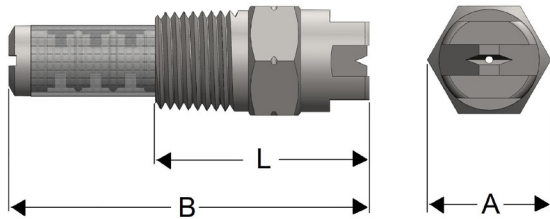
www.BEX.com

FV SERIES

Low Flow-Rate Nozzle



Bex FV Series models are machined from bar stock and are one-piece construction. Standard materials are brass, 303 and 316 stainless. Other materials are available on request. All nozzles are made with a female thread on the inlet to install BEX strainers. The optional strainer assembly helps minimize debris.



Thread Size (NPT or BSPT)	Length L (Inches)	Diameter A (Inches)	Internal Thread	Dimensions B (with strainer assembly) Inches
1/8	13/16	7/16 HEX	1/4-28 UNF	1.34
1/4	15/16	9/16 HEX	3/8-24 UNF	1.68

FV Series Low Flow	Model #	Equivalent Orifice Diameter (in)	Capacity (GPM) at Various Pressures (psi)				
			20 psi	40 psi	80 psi	200 psi	500 psi
Thread Sizes (NPT or BSPT) 1/8 and 1/4 Spray Angles 15, 25, 40, 50, 65, 80, 95 and 110	01	0.025	0.07	0.10	0.14	0.22	0.35
	015	0.030	0.11	0.15	0.21	0.34	0.53
	02	0.035	0.14	0.20	0.28	0.45	0.71
	025	0.039	0.18	0.25	0.35	0.56	0.88
	03	0.043	0.21	0.30	0.42	0.67	1.06
	04	0.050	0.28	0.40	0.57	0.89	1.41
	05	0.056	0.35	0.50	0.71	1.12	1.77
	06	0.061	0.42	0.60	0.85	1.34	2.12
08	0.081	0.57	0.80	1.13	1.79	2.83	

Competitive Pricing/Fast Delivery



Spraying, Mixing, and Application Specialists

www.BEX.com

BEX, Inc.

836 Phoenix Dr
Ann Arbor, MI
48108 USA
T 734-389-0464
F 734-389-0470
sales@bex.com

BEX Engineering Ltd.

5115 Timberlea Blvd
Mississauga, ON
Canada, L4W 2S3
T 905-238-8920
F 905-238-8955
info@bex.com

BEX, GmbH

Siemensring 44N
D-47877 Willich
Deutschland
T 49 2154/88 70 06
F 49 2154/88 70 09
deutschland@bex.com