

BEX MOLDED TANK WASHING NOZZLE

True 360° coverage in a compact assembly.

BEX new TWK Series molded rotating nozzle provides true 360° spray coverage in a compact size and provides a cost-effective alternative to higher priced stainless tank washing assemblies. The nozzle's bearing mechanism is self-lubricating and self-cleaning. It can be installed in any orientation and is effective in vessels up to 10 feet in diameter.



Features:

- Compact design
- Effective in vessels to 10 feet
- True 360° spray coverage
- Low cost
- Simple maintenance

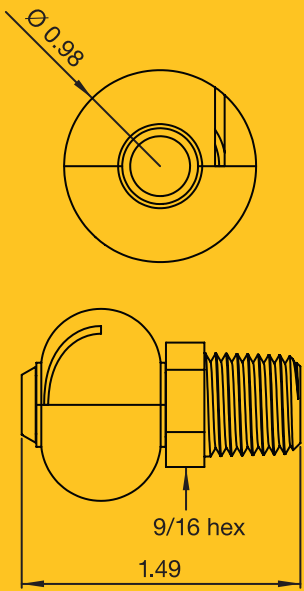
Typical applications:

- Keg washing
- Tank washing
- Small tank rinsing
- Machine Clean-In-Place
- Food processing

BEX[®]
Spraying, Mixing, and
Application Specialists

BEX MOLDED TANK WASHING NOZZLE

BEX TWK Series rotating nozzle series comes in both 180° and 360° rotational coverage. The robust and sturdy PVDF construction provides a high quality molded nozzle that can be installed in any orientation and is effective in a variety of applications from keg and tank washing to food processing and machine Clean-In-Place. The maximum recommended operation pressure is 100 psi at 180°.



The capacity chart (right) provides the flow of water through the nozzle orifice at various pressures and circulation rate.

180° Coverage



1/4TWK18050 PVDF

360° Coverage



1/4TWK36050 PVDF

Model Number	Pipe Size (NPT)	Maximum Free Pass	Nozzle flow (GMP) at various pressures (PSI)							
			5	10	15	20	30	40	60	80
1/4TWK36050 PDVF	1/4"	0.063	1.77	2.50	3.10	3.50	4.30	5.00	6.10	7.10
1/4TWK18050 PDVF	1/4"	0.063								



www.BEX.com

Innovative. Flexible. Dependable.

U.S.A. - BEX Incorporated
836 Phoenix Drive
Ann Arbor MI. 48108
Phone: 734.389.0464
Fax: 734.389.0470

Canada - BEX Engineering
5115 Timberlea Blvd.
Mississauga ONT L4W2S3
Phone: 905.238.8920
Fax: 905.238.8955

Europe - BEX GmbH, Schwertgesweg
34, D-40670
Meerbusch, Deutschland
Phone: 2159 81 53 62
Fax: 2159 81 53 63