

### DK63, DK10 SS Case Gauge with SS System



#### FEATURES

- All SS welded construction
- Zero Zone pointer indication
- Ventable plug
- MSL helium leak tested to  $1 \times 10^{-6}$  ATM - cc/sec
- RoHS compliant
- CRN approved
- 1 year limited warranty
- Exceeds ASME B40.100 grade B accuracy

#### PRODUCT SPECIFICATIONS

Type No.: DK63, DK10  
 Sizes: 63mm, 100mm  
 Case: 304 SS  
 Ring: 304 SS crimped  
 Window: Polycarbonate  
 Dial: Black figures on white background, aluminum  
 Pointer: Friction adjust, black, aluminum  
 Bourdon Tube: 316L SS  
 C-Shaped (vacuum-600 psi and compound)  
 Helical (800 psi-15,000 psi)  
 Socket: 316L SS  
 Movement: 300 series SS, polyester segment, overload/underload stops  
 Connections: ¼ NPT, lower or lower back  
 Connection Code: 

Type	Code
¼ NPT	O2
½ NPT	O1
¼" Tube stub	JP
SAE 7/16-20	RW

Other connections on application  
 Ranges: Vac-15,000 psi and compound  
 Accuracy: 1.6% full scale<sup>(1)</sup>  
 Fill Plug: Ventable  
 Protection: Nema 4X/IP65 plug sealed  
 Nema 3/IP54 plug vented

#### OPTIONAL FEATURES

Liquid fill: Glycerin, silicone (XGV), Halocarbon® (includes throttle plug)  
 Connections: Metric and SAE on request  
 Mounting: U-clamp (UC), Front flange (FF),  
 Dials: Receiver ranges, refrigerant ranges; custom dials  
 Tags: SS tag wired to case (NH)  
 Calibration Cert.: C4  
 Oxygen Cleaning: 6B  
 Throttle Plug: TU (standard in liquid filled gauge)  
 Dampened Movement Option: LL

<sup>(1)</sup> When these gauges are liquid filled the total gauge accuracy may be as much as 2.0%



#### HOW TO ORDER (Typical example)

DK63 S (L) O2L XXX 100#

Dial Size: 63mm (63), 100mm (10) \_\_\_\_\_

Tube and Socket Material: 316L SS \_\_\_\_\_

Liquid Filled: L (glycerin), D (dry) \_\_\_\_\_

Connection Size: ¼ (O2), ½ (O4) - lower connection only \_\_\_\_\_

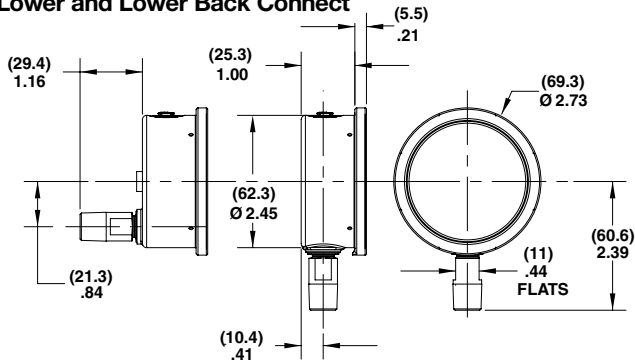
Connection Location: Lower (L), Lower Back (B), Center Back (C) \_\_\_\_\_

Options: XGV (silicone), XUC (u-clamp), XFF (front flange) \_\_\_\_\_

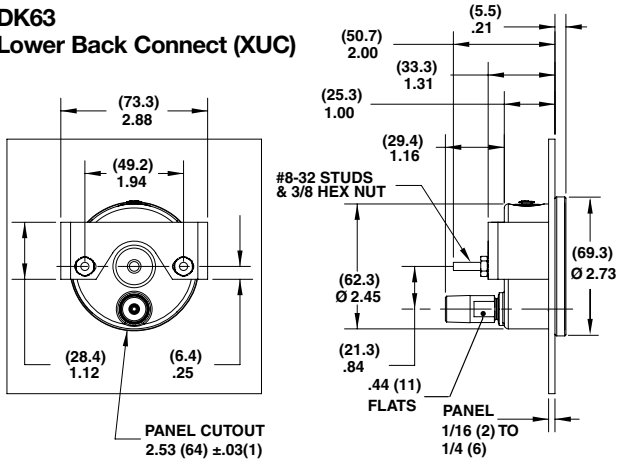
Range: 0/100 psi \_\_\_\_\_

### DK63, DK10 SS Case Gauge with SS System

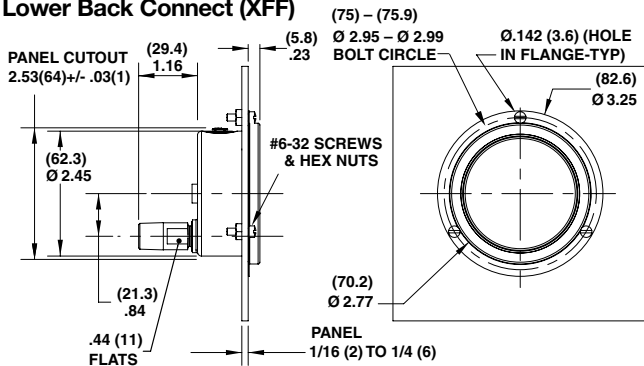
**DK63**  
Lower and Lower Back Connect



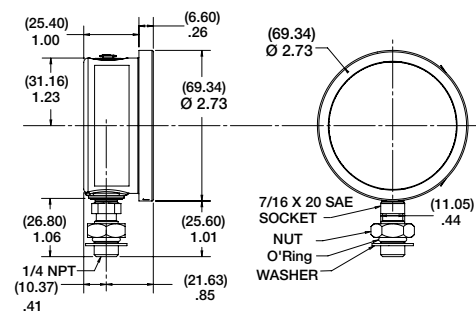
**DK63**  
Lower Back Connect (XUC)



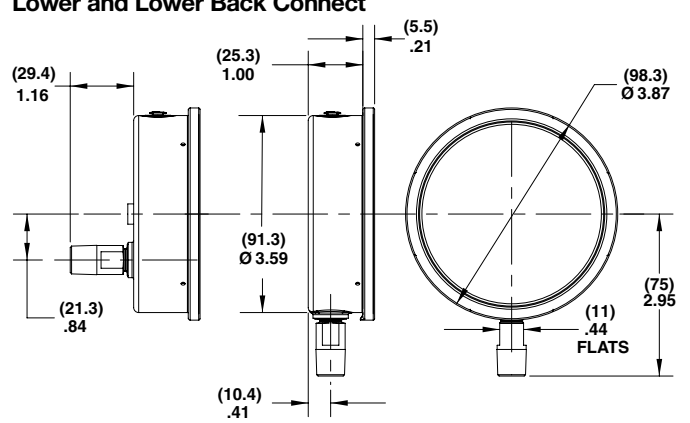
**DK63**  
Lower Back Connect (XFF)



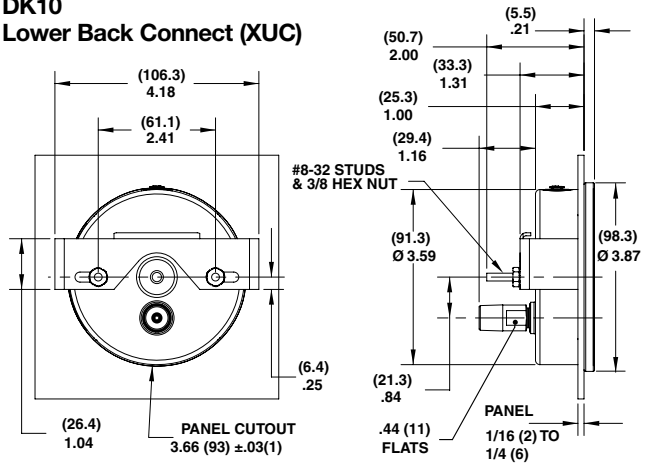
**DK63**  
RW - SAE 7/16 & 20 straight thread



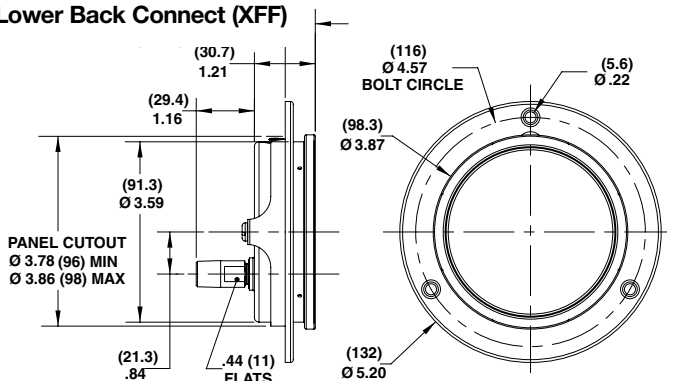
**DK10**  
Lower and Lower Back Connect



**DK10**  
Lower Back Connect (XUC)



**DK10**  
Lower Back Connect (XFF)



All dimensions in brackets ( ) are millimeters.